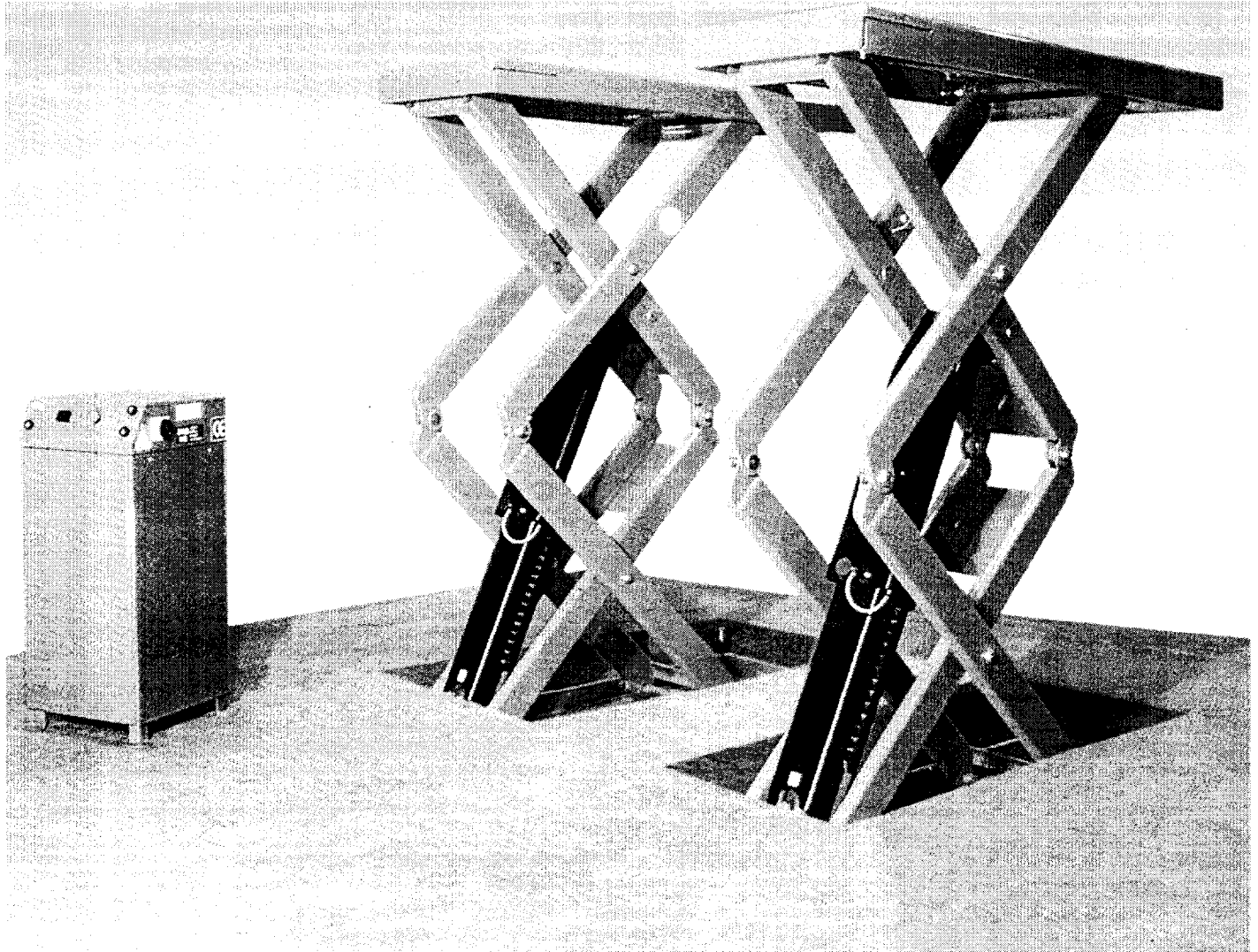


John
BEAN
Company

EXPLODED VIEW AND
PARTS LISTS

COBRA



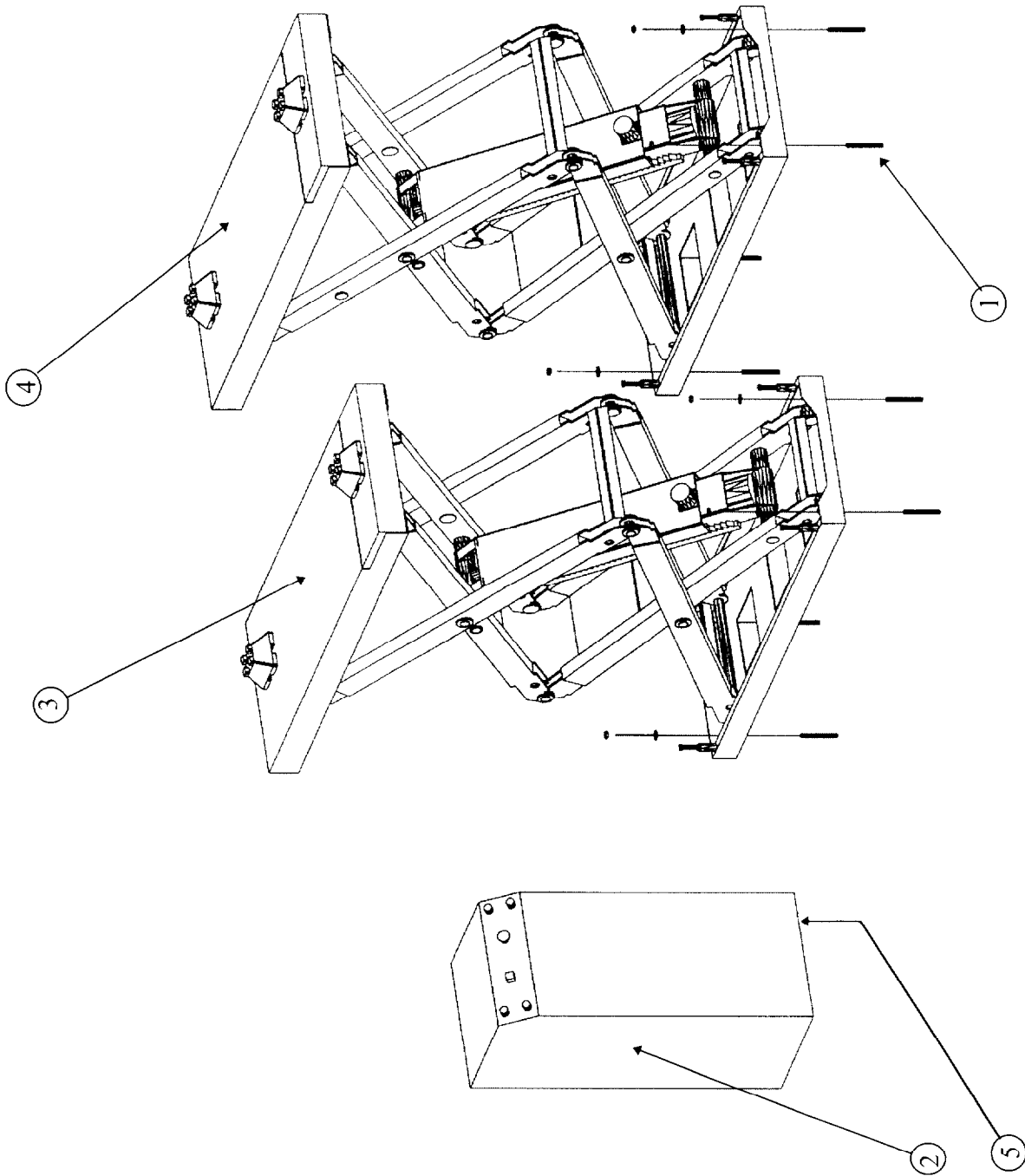
7000 lb. (3175 kg.)
Capacity



309 EXCHANGE AVENUE, CONWAY, ARKANSAS, 720
TEL: 501-450-1500 FAX: 501-450-1585

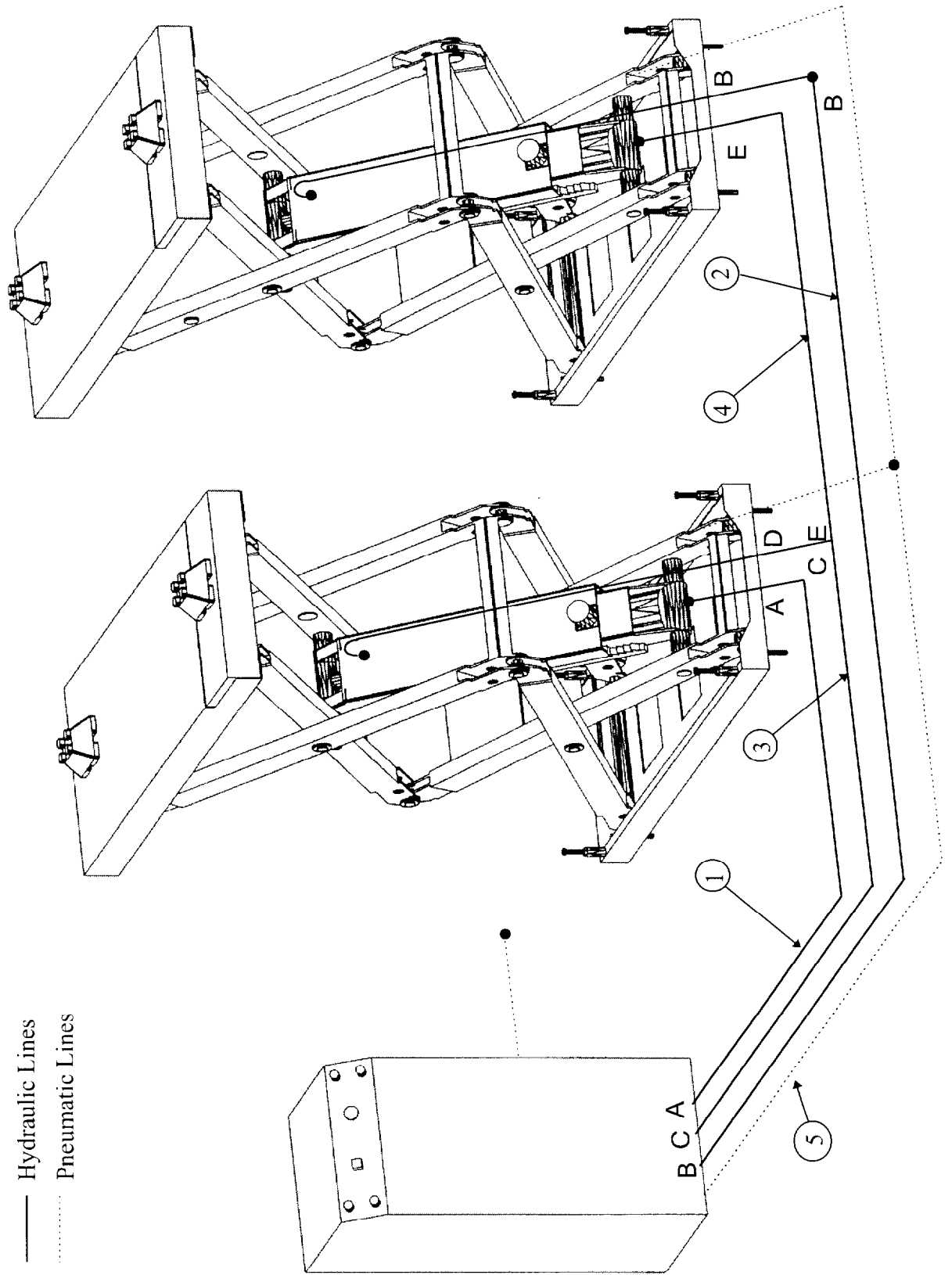
Model JBC35196 FM

6-1870 SEPT. 1998



Lift Assembly Parts List

Hydraulic/Air Diagram



PARTS LIST

Item #	Qty.	Description	Part #
1	8	Wedge Anchor, 1/2" x 4 1/2" (c/w nuts & washers)	6-0140
2	1	Control Desk	4-0608
3	1	Left Side Deck Ass'y	4-0606
4	1	Right Side Deck Ass'y	4-0607
5	4	Wedge Anchor 3/8" x 2 1/2" (c/w nuts & washers)	6-1571

HYDRAULIC\AIR PARTS LIST

Item #	Qty.	Description	Part #
1	1	Hydraulic Hose "A"	2-1264
2	1	Hydraulic Hose "B"	2-1265
3	1	Hydraulic Hose "C"	2-1266
4	1	Hydraulic Hose "E"	2-1267
5	1	Pneumatic Line	6-1569